



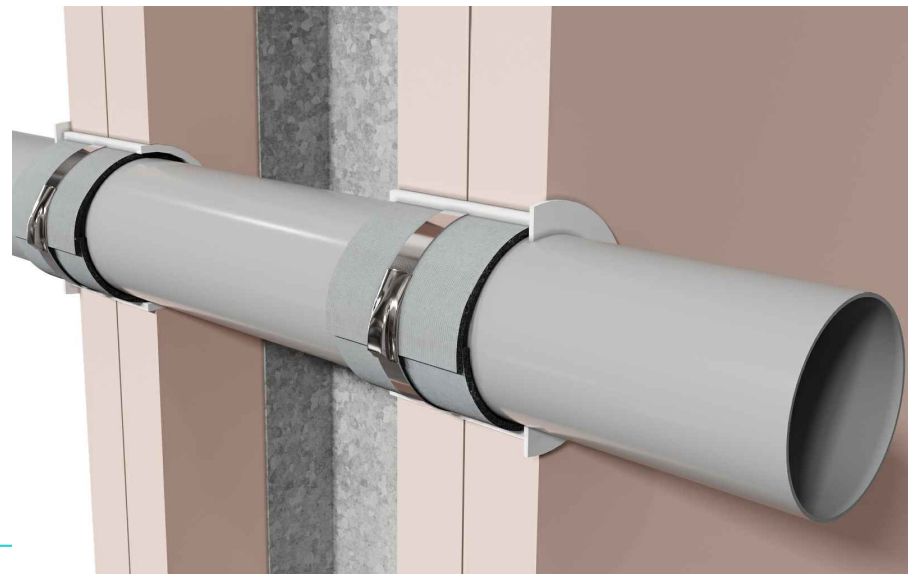
# FIRESTOP CENTRE

Authorised New Zealand Distributor  
Ph (09) 483 4000 www.firestopcentre.co.nz

AGNI-Wrap in 2 x 13mm Plasterboard Wall or  
116mm Concrete Wall  
25mm Polybutylene Pipe  
Max FRR -/120/120

## Step-by-step installation instructions:

1. Ensure the aperture is free from dust and debris.
2. Install 1x layer of AGNI-Wrap around the pipe allowing a 10mm overlap.
3. Fix AGNI-Wrap with an AGNI-Strap at mid-width.
4. Recess within the annular gap and flush with the surface of the wall.
5. Fill annular gap with AGNI-Seal to a depth of 26mm i.e. full depth of plasterboard lining.



System ID# FC831

### Technical Information

Substrate	<ul style="list-style-type: none"> <li>• 2x 13mm FR plasterboard-lined wall with 64mm steel framing (uninsulated)</li> <li>• ≥116mm concrete wall</li> </ul>
Service type	DN 25mm Polybutylene pipe
Size	Inner diameter (ID): 22mm Outer diameter (OD): 28mm Thickness (T): 3mm
AGNI-Wrap layers	1
Annular gap	Min: 6mm Max: 11mm
AGNI-Products	AGNI-Seal, AGNI-Wrap
Protection installation	Symmetrical

### Compliance Information

Standards	AS1530.4-2014, AS4072.1-2005
FRR/FRL	-/120/120
Reference	RIRF24019 (AP-049FCC)

#### Disclaimer

Agnitek reserves the right to modify product specifications without prior notice due to its ongoing research, development & certification programme. The information in this document is provided in good faith and is intended for guidance purposes only. Any accompanying drawings are solely for illustrative purposes. Since Agnitek cannot oversee installation methods or ensure site conditions, no warranties, expressed or implied, are intended regarding the products' actual performance. We do not accept liability for any loss, damage, or injury from using this information. Please take a look at the test reports displayed on a relevant AGNI-System webpage for all compliance specifics.



8 Clare St Bayswater  
VIC 3153, AUSTRALIA  
www.agnitek.com.au

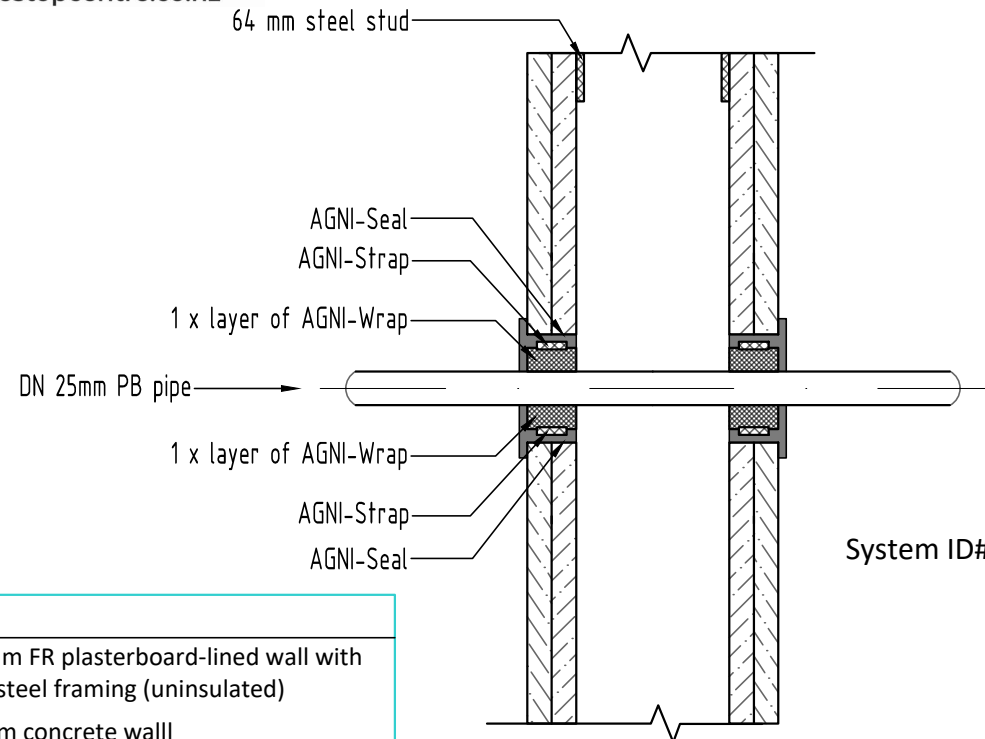
Date 20.06.2024



# FIRESTOP CENTRE

Authorised New Zealand Distributor  
Ph (09) 483 4000 www.firestopcentre.co.nz

## AGNI-Wrap in 2 x 13mm Plasterboard Wall or 116mm Concrete Wall 25mm Polybutylene Pipe, Max FRR -/120/120



### Technical Information

Substrate	<ul style="list-style-type: none"> <li>• 2x 13mm FR plasterboard-lined wall with 64mm steel framing (uninsulated)</li> <li>• ≥116mm concrete wall</li> </ul>
Service type	DN 25mm PB pipe
Size	Inner diameter (ID): 22mm Outer diameter (OD): 28mm Thickness (T): 3mm
AGNI-Wrap layers	1
Annular gap	Min: 6mm Max: 11mm
AGNI-Products	AGNI-Seal, AGNI-Wrap
Protection installation	Symmetrical

### Compliance Information

Standards	AS1530.4-2014, AS4072.1-2005
FRR/FRL	-/120/120
Reference	PF24019



**Agnitek**  
FIRE RATED TECHNOLOGY

8 Clare St Bayswater  
VIC 3153, AUSTRALIA  
www.agnitek.com.au

#### Disclaimer

Agnitek reserves the right to modify product specifications without prior notice due to its ongoing research, development & certification programme. The information in this document is provided in good faith and is intended for guidance purposes only. Any accompanying drawings are solely for illustrative purposes. Since Agnitek cannot oversee installation methods or ensure site conditions, no warranties, expressed or implied, are intended regarding the products' actual performance. We do not accept liability for any loss, damage, or injury from using this information. Please take a look at the test reports displayed on a relevant AGNI-System webpage for all compliance specifics.

Date	20.06.2024
------	------------